

*suitable for
compressed air*



●●●●●● STANDARD RANGE

Diaz

The right solution for a perfect spray



Diaz

The right solution for a perfect spray

To meet the growing market demand on horizontal spray caps for Home Care and Technical applications, WP developed Diaz. A wide range of formulations can be sprayed easily, also complex ones. Diaz is the ideal spray solution for compressed air or gas aerosols.

Spray cap Diaz has a generic and functional design with a diameter of 52 mm. The solid hinge is situated at the back side for ergonomic comfort. The cap has a convenient and effective finger push area that gives a direct actuation of the spray. Diaz has optimal mechanical properties, yet without giving in on WP's objective to offer cost-effective solutions.

The polypropylene spray cap has a gloss surface finish and can be delivered in a customised colour. Also translucent materials can be an attractive option.

The IP protected Diaz has a versatile and flexible Inserted Button System. By adapting the insert to the formulation the right spray pattern can be achieved, depending on the requirements. Diaz is produced with modern technology, providing a high quality standard against low operational cost.

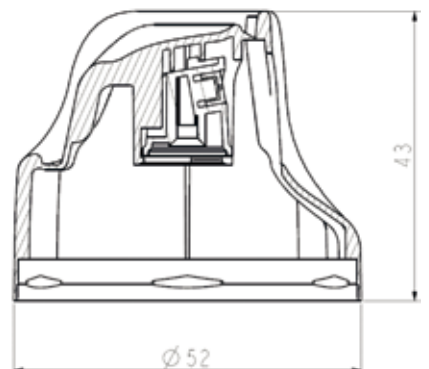
Aerosol sprays are tested extensively in the fully equipped spray lab. The knowledge enables WP to perfect the spray performance and optimise the design in order to deliver spray caps that meet today's market requirements.

Unique Benefits

- Suitable for compressed air systems
- Ultimate performance
- Cost competitive
- Ergonomic design
- Good functionality
- User-friendly
- Flexibility with insert
- Recyclable

Specifications

- Diameter 52 mm
- Height 43 mm
- Fits on necked-in tin plate cans
- Designed for all common valve dimensions
- Horizontal spray
- Gloss surface finish
- Appropriate for translucent and solid colours
- Suitable for Home Care and Technical applications
- Material PP



Weener Plastics Group

Frankeneng 53
6716 AA Ede
The Netherlands

T +31 318 749749
E group@wppg.com
W www.wppg.com

Weener Plastics Netherlands

Zevenheuelenweg 9
5048 AN Tilburg
The Netherlands

T +31 (0)13 4657465
E netherlands@wppg.com
W www.wppg.com