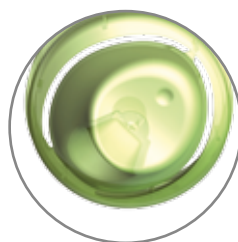


●●●●●● STANDARD RANGE

Jessica

Best value spray actuator in the market



Jessica

Best value spray actuator in the market

Why looking for other alternatives? Here is Jessica, an elegant one-piece spray actuator with the **Integrated Spray technology**, designed and developed by Plasticum.

The trendy look makes Jessica highly suitable for Personal Care applications. The actuator has a gloss surface finish and can be supplied in any desired colour. Also in translucent material Jessica is very appealing. The spray actuator can be offered with different over caps to further customise the design.

Jessica is environmentally friendly and recyclable as one part. The ergonomically shaped finger recess area has been positioned conveniently and transfers the actuation force effectively to the aerosol system. Thanks to the efficient production and automated processes this spray actuator guarantees a cost-effective solution.

Integrated Spray Technology

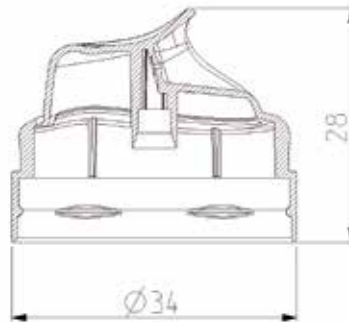
Plasticum developed a proprietary spray solution with a patented technique, integrating both the actuator and insert. The spray orifice of the button is positioned just above the stem to optimise the control and performance when activating the aerosol. A special chamber and channel design stimulate the acceleration of particles into a swirling pattern.



with an over cap



translucent



dimensions



Unique Benefits

- One-piece
- Cost competitive
- Attractive and ergonomic design
- Different over caps possible
- Good functionality
- User-friendly
- Flexibility in flows, stem fits and colours
- Different spray patterns feasible
- Automatic assembly
- 100% final inspection
- Recyclable as one part

Specifications

- Diameter 34 mm
- Height 28 mm
- Fits on valve cup
- Applicable to tin plate and aluminium cans
- Designed for all common valve dimensions
- Gloss surface finish
- Appropriate for translucent and solid colours
- Suitable for Personal Care applications
- Supplied with an over cap
- Material PP