

W E E N E R
PLASTIC PACKAGING GROUP



IDEA
DESIGN
PRODUCT



food



Honey Collection

DE4002/4015/ 4003/5093

Product features:

PET bottles specially for the honey market, trying to look like traditional beehives.

Size (Volume): 250g, 350g, 500g

Fits with Weener caps:

DE4282 >>



DE4252 >>



D3983 >>

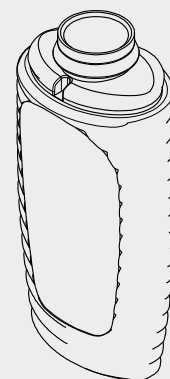
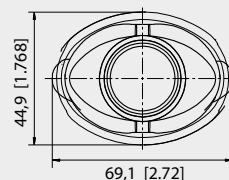
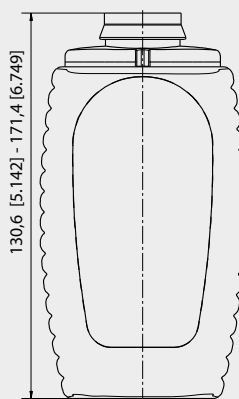
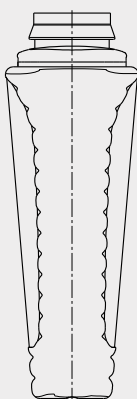


Market: Food, specially honey

Range: Honey

Shape: horizontal lines, like a beehive

Article-No:	DE4002	DE4015	DE4003	DE5093
Size (Volume):	250g	350g	500g	500g
Height: (without cap)	130,6mm	147,2 mm	171,8 mm	171,8 mm
Foot print (mm):	54,8 x 27,3	51,1 x 32,7	73,3 x 41,5	73,3 x 41,5
Weight (without cap):	17,5g	23,5 g	28,4 g	26,5 g
inner Neck Diameter:	22mm	22mm	22mm	22mm
outer Neck Diameter:	29mm	29mm	29mm	29mm
Material	PET	PET	PET	PET
Surface:	glossy	glossy	glossy	glossy



Gold Collection

ES8074004/006/009

Product features:

A revolutionary design in non-dripping honey packaging. Offering a good stability and grip, and easy handling into the best 0% drip container system of market.

Size (Volume): 250g, 350g, 500g

Fits with Weener caps:

DE4282 >>



DE4525 >>



D3983 >>



Market: Food, specially honey
 Range: Gold
 Shape: hexagons

Article-No:	ES8074004	ES8074006	ES8074009
Size (Volume):	250g	350g	500g
Height: (without cap)	115,0 mm	132,0 mm	153,0 mm
Foot print:	80,0 x 33,0 mm	88,0 x 39,0 mm	101,0 x 44,0 mm
Weight (without cap):	17,5g	23,5 g	28,4 g
inner Neck Diameter:	22mm	22mm	22mm
outer Neck Diameter:	29mm	29mm	29mm
Material	PET	PET	PET
Surface:	glossy	glossy	glossy

Dolce Collection

ES8194004/006/ 009

Product features:

The Dolce Collection comprises of a non-dripping cap and PET bottle. Dedicated for the Personal Care and Food market

Size (Volume): 180 ml, 250 ml, 360 ml



Fits with Weener caps:

[DE4282 >>](#)



[DE4525/ ES1401 >>](#)



Market: Food, personal care

Range: Dolce

Shape:

Article-No: **ES8194004** **ES8194006** **ES8194009**

Size (Volume): 180 ml 250 ml 360 ml

Height: (without cap) 123 mm 148 mm 180 mm

Foot print (mm):

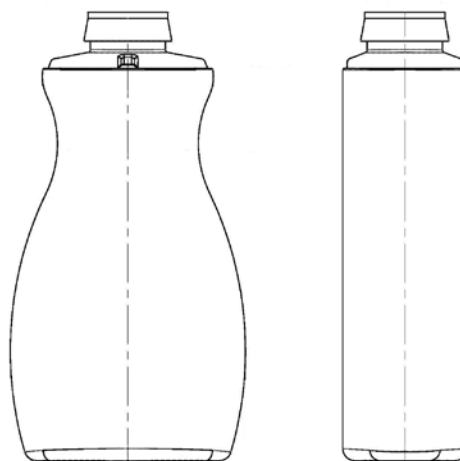
Weight (without cap): 18 g 24 g 29 g

inner Neck Diameter: 22 mm 22 mm 22 mm

outer Neck Diameter: 29 mm 29 mm 29 mm

Material PET PET PET

Surface: glossy glossy glossy



Violeta Collection

DE3980/3982

Product features:

PET bottle with a flip-top cap or a non-dripping valve one, guaranteeing a highly functional packaging for dispensing liquid products.

Size (Volume): 300ml, 500ml

Fits with Weener caps:

DE4282 >>



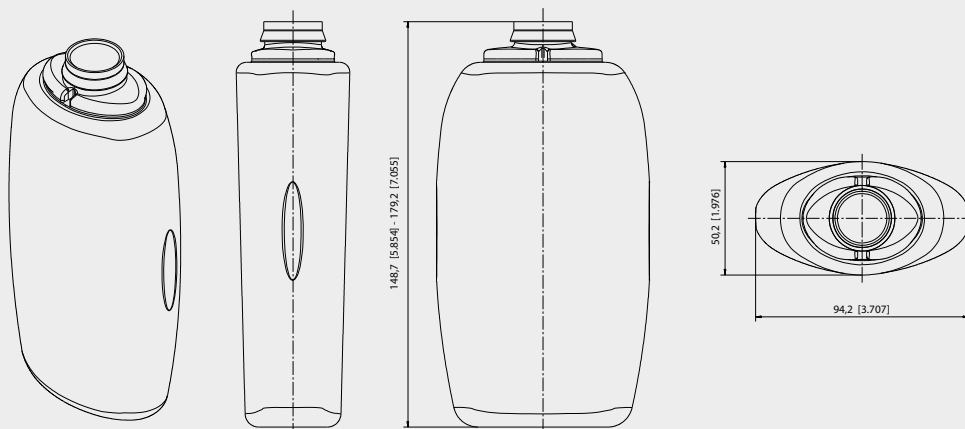
DE4525 >>



D3983 >>



Market:	Cosmetic, Body care, Food	
Range:	Violeta	
Shape:	straight and plane	
Article-No:	DE3980	DE3982
Size (Volume):	300ml	500ml
Height: (without cap)	148,7mm	179,2mm
Foot print:	74,8 x 34,6 mm	94,2 X 42,2 mm
Weight (without cap):	23,5 g	32 g
inner Neck Diameter:	22mm	22mm
outer Neck Diameter:	29mm	29mm
Material	PET	PET
Surface:	glossy	glossy



Premium Collection

ES8084016/004

Product features:

PET bottle with a flip-top cap or a non-dripping valve one, guaranteeing a highly functional packaging for dispensing liquid products.

Size (Volume): 180ml, 250ml

Fits with Weener caps:

DE4282 >>



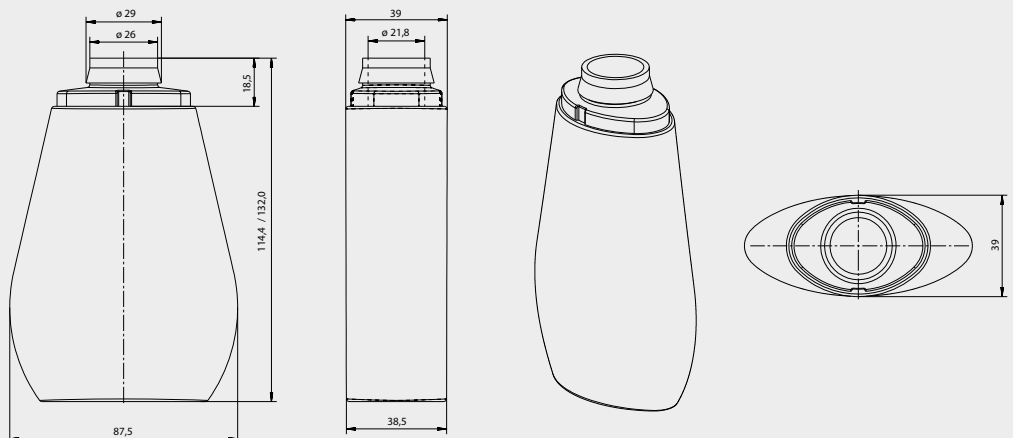
DE4525 >>



D3983 >>



Market:	Cosmetic, Personal care, Food	
Range:	Premium	
Shape:	like a drop	
Article-No:	ES8084016	ES8084004
Size (Volume):	180ml	250ml
Height: (without cap)	114,4 mm	132,0 mm
Foot print:	81,0 x 32,2 mm	87,5 x 38,5 mm
Weight (without cap):	17,5 g	23,5 g
inner Neck Diameter:	22mm	22mm
outer Neck Diameter:	29mm	29mm
Material	PET	PET
Surface:	glossy	glossy



Ireland Collection

DE4506/4507

Product features:

Special design of PET bottle, perfectly clear.

Size (Volume): 250 g, 500 g

Fits with Weener caps:

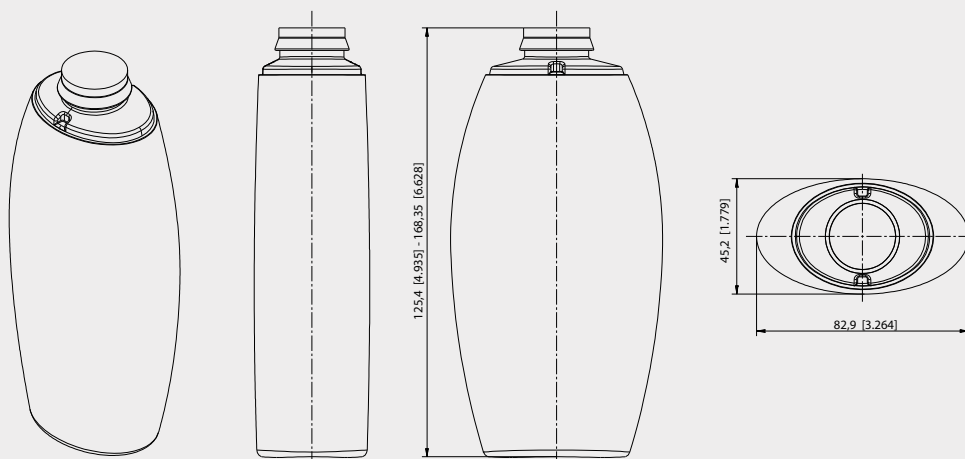
DE4282 >>



DE4525 >>



Market:	Cosmetic, Food	
Range:	Ireland	
Shape:		
Article-No:	DE4506	DE4507
Size (Volume):	250 g	500 g
Height: (without cap)	125,4 mm	168,35 mm
Foot print:	67,4 x 32,6 mm	56,0 x 43,0 mm
Weight (without cap):	17,2 g	28,6 g
inner Neck Diameter:	22mm	22mm
outer Neck Diameter:	29mm	29mm
Material	PET	PET
Surface:	glossy	glossy



Tulipa DE3960

Product features:

Special design of PET bottles, perfectly clear, adding a modern and clean image to the final product.

Size (Volume): 180ml, 250ml

Fits with Weener caps:

DE4282 >>



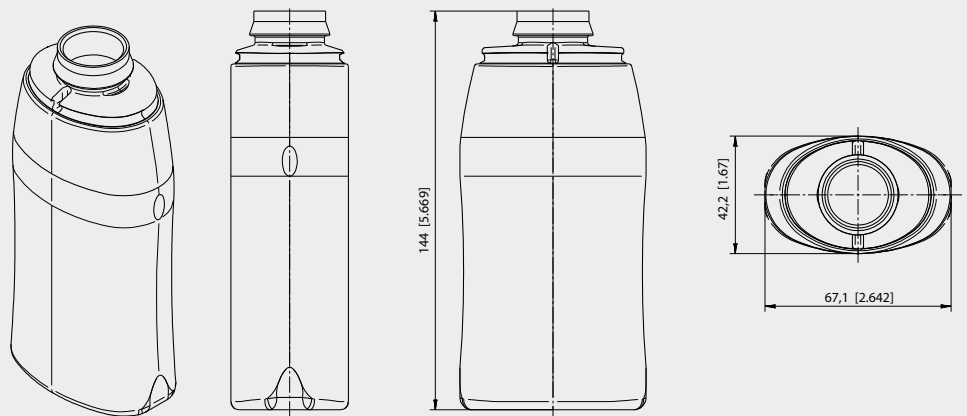
DE4525 >>



D3983 >>



Market:	Cosmetic, Body care, Food
Range:	Tulipa
Shape:	straight and plane
Article-No:	DE3960
Size (Volume):	250 ml
Height: (without cap)	143,0 mm
Foot print:	67,5 x 42,4 mm
Weight (without cap):	23,5g
inner Neck Diameter:	22mm
outer Neck Diameter:	29mm
Material	PET
Surface:	glossy



Clean Squeeze® Flip Top Valve Cap - US4669

Product features:

Non-dripping flip-top cap with a silicone valve. Allows you to control dosage of the product. Quick and easy system: open the lid, put the container upside down and squeeze. Special packaging for body-care, cosmetic and food products.

Market:	Food, household
Range:	Clean Squeeze
Shape:	Round
Foot print:	ø 55mm
Weight:	10 g
Neck Diameter:	2 1/8" / 38-400
Orifice:	Valve
Surface:	Glossy
Tamper-Evidence:	Liner
Material:	PP

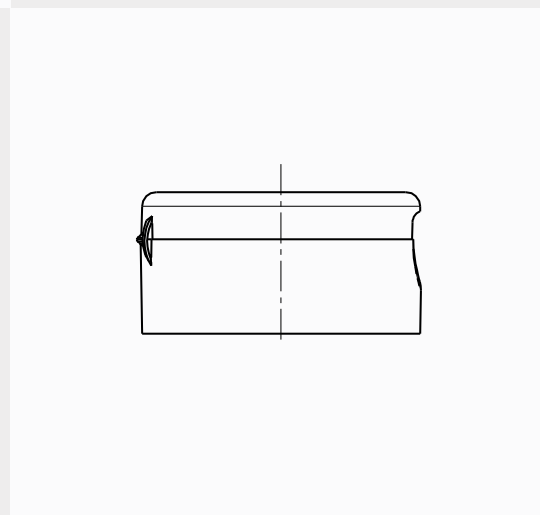
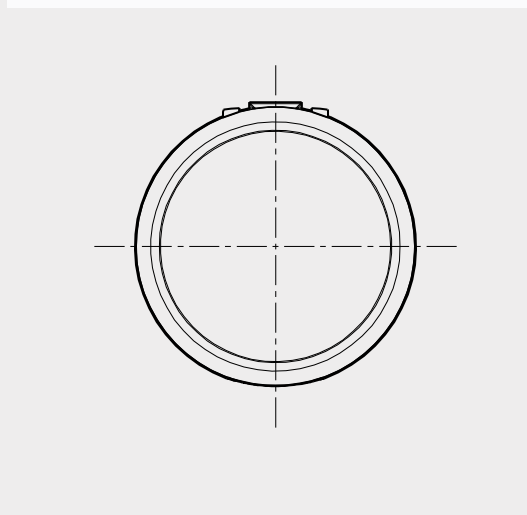
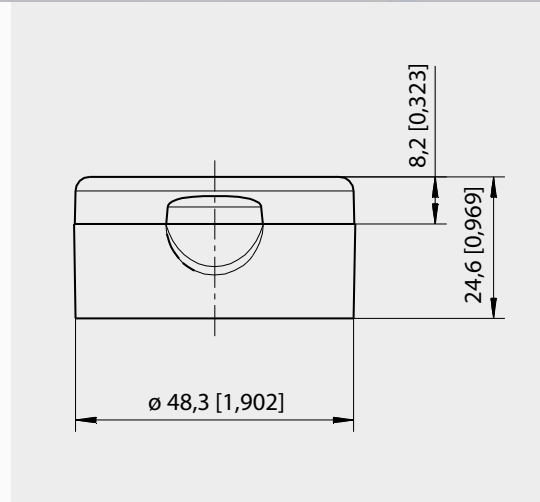
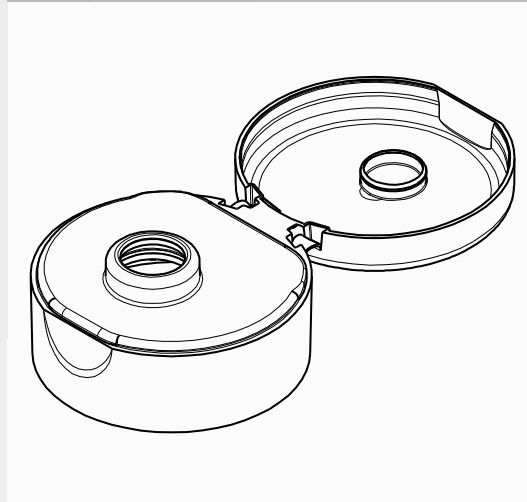


Clean Squeeze® Flip Top Valve Cap - US4667

Product features:

Non-dripping flip-top cap with a silicone valve. Allows you to control dosage of the product. Quick and easy system: open the lid, put the container upside down and squeeze. Special packaging for body-care, cosmetic and food products.

Market:	Food, household
Range:	Clean Squeeze
Shape:	Round
Foot print:	ø 48mm
Weight:	8,5 g
Neck Diameter:	2" / 38-400
Orifice:	Valve
Surface:	Glossy
Tamper-Evidence:	Liner
Material:	PP



Clean Squeeze® Flip Top Valve Cap - ES1401/ DE4525

Product features:

Non-dripping flip-top cap with a silicone valve. Allows you to control dosage of the product. Quick and easy system: open the lid, put the container upside down and squeeze. Special packaging for body-care, cosmetic and food products.

Market:	Cosmetic, body care, food
Range:	Valve Closure
Shape:	Oval
Foot print:	56,0 x 40,0 mm
Weight:	6,4 g
Neck Diameter:	Snap-on 22 mm
Orifice:	Different valve cuts possible
Surface:	Glossy
Material:	PP

Fits with Weener Bottles:

[Tulipa >>](#)



[Violeta Collection >>](#)



[Ireland Collection >>](#)



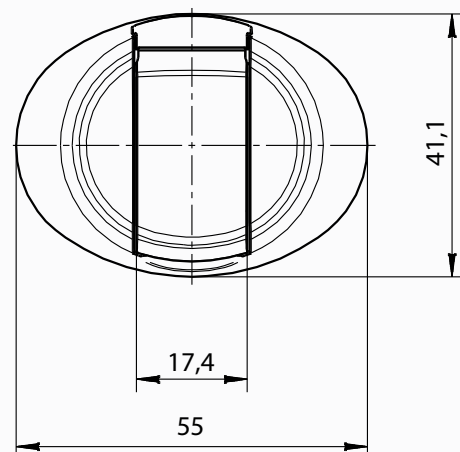
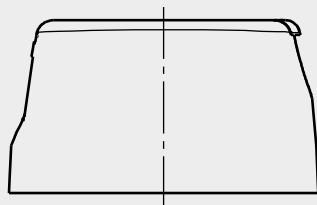
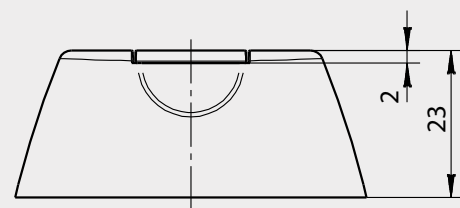
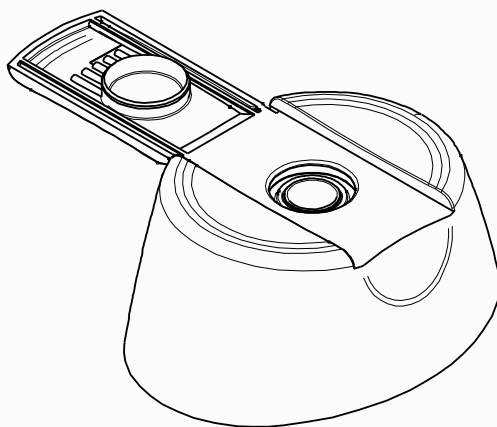
[Honey Collection >>](#)



[Gold Collection >>](#)



[Premium Collection >>](#)



Clean Squeeze® Flip Top Valve Cap - DE4282

Product features:

Non-dripping flip-top cap with a silicone valve. Allows you to control dosage of the product. Quick and easy system: open the lid, put the container upside down and squeeze. Special packaging for body-care, cosmetic and food products.

Market:	Cosmetic, body care, food
Range:	Flip-Top Caps
Shape:	Oval
Foot print:	55,0 x 41,0 mm
Weight:	7,4 g
Neck Diameter:	Snap-on 22 mm
Orifice:	Different valve cuts possible
Surface:	High glossy
Material:	PP

Fits with Weener Bottles:

[Tulipa >>](#)



[Violeta Collection >>](#)



[Ireland Collection >>](#)



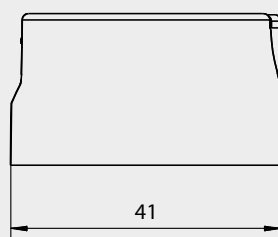
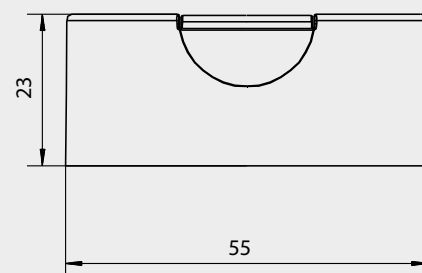
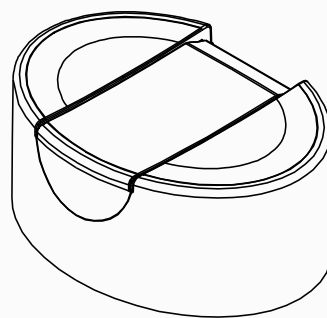
[Honey Collection >>](#)



[Gold Collection >>](#)



[Premium Collection >>](#)



CondiCap™

US4681/82/83

Product features:

Proven active-hinge technology offers best-in-class spring action, cleanliness is being offered by its 140 degree cap opening angle, constant lift-force due to no white-stressing on hinge, weight reduction approx. 25% vs. industry standards

Market: Food, household, healthcare

Range: CondiCap

Shape: round

Foot print Ø: 34,0 mm

Weight: 3,5g

Neck Diameter: 33-400

Orifice - nozzle size: 0.25"-4681 / 0.375"-4682 / 0.5"-4683 - further orifice sizes possible

Orifice - dispensing valve: CleanSqueeze™ patented valve option - individually tailored for your product

Surface: High gloss - frosted by request

Temperature evidence: Liner - options possible

Material: All materials comply with FDA guidelines for food grade materials

Colours: Available in many tones and special colors with low quantities on request

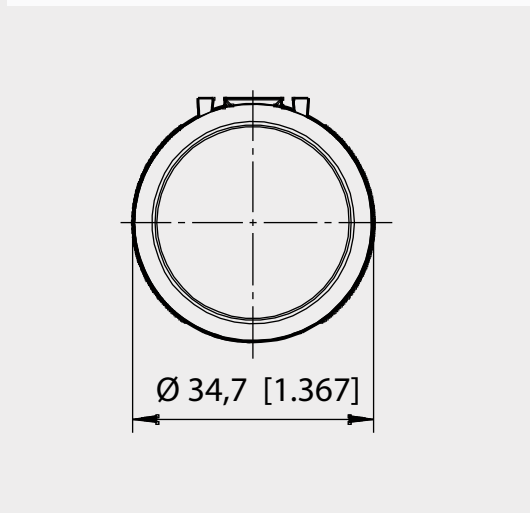
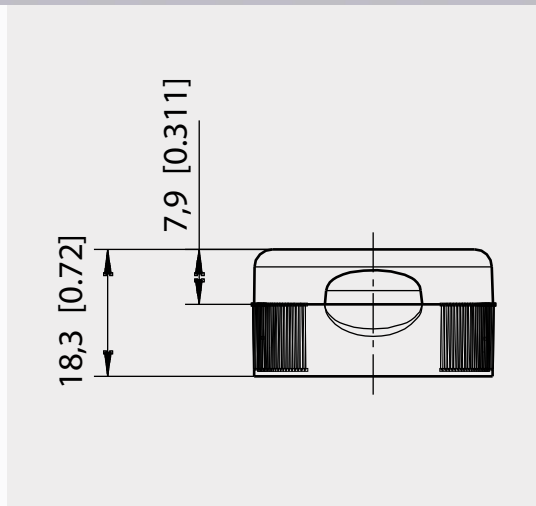
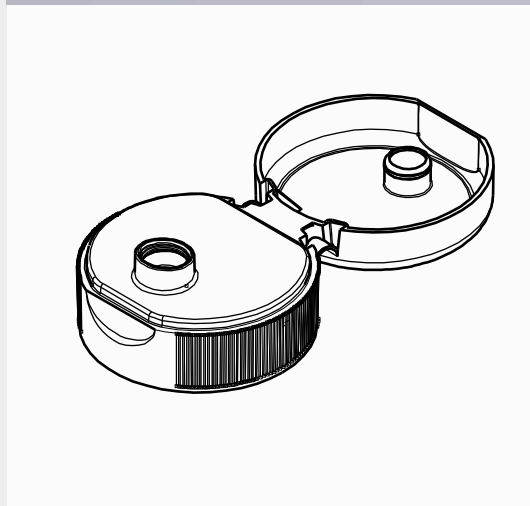
Sizes: Available in different neck finish and orifice sizes

Applications: Suitable for any thick or creamy product.

Food applications including salad dressings, ketchup, mustard, syrup, honey, sauce, condiments, and toppings.

Household applications including liquid soap, detergents, hobby paints.

Healthcare applications including vitamins, supplements and powders.



CondiCap™

US4677/78/79

Product features:

Proven active-hinge technology offers best-in-class spring action, cleanliness is being offered by its 140 degree cap opening angle, constant lift-force due to no white-stressing on hinge, weight reduction approx. 25% vs. industry standards

Market: Food, household, healthcare

Range: CondiCap

Shape: round

Foot print Ø: 40,0 mm

Weight: 4,7g

Neck Diameter: 38-400

Orifice - nozzle size: 0.25"-4677 / 0.375"-4678 / 0.5"-4679 - further orifice sizes possible

Orifice - dispensing valve: CleanSqueeze™ patented valve option - individually tailored for your product

Surface: High gloss - frosted by request

Temper-evidence: Liner - options possible

Material: All materials comply with FDA guidelines for food grade materials

Colours: Available in many tones and special colors with low quantities on request

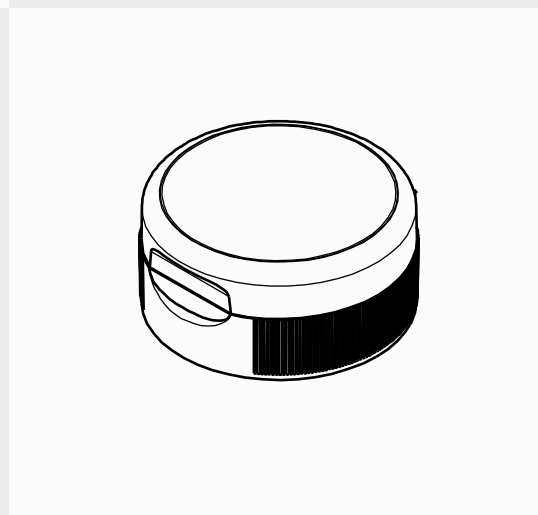
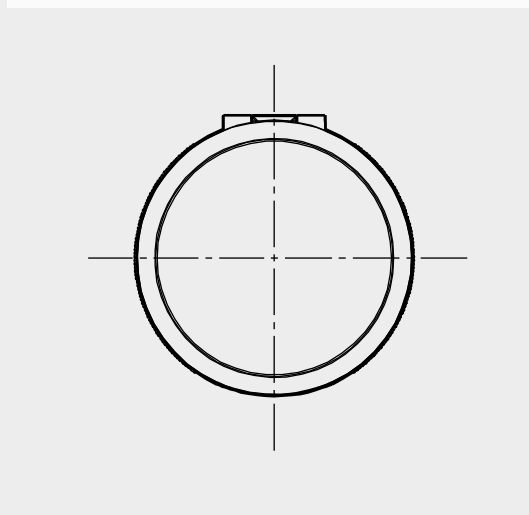
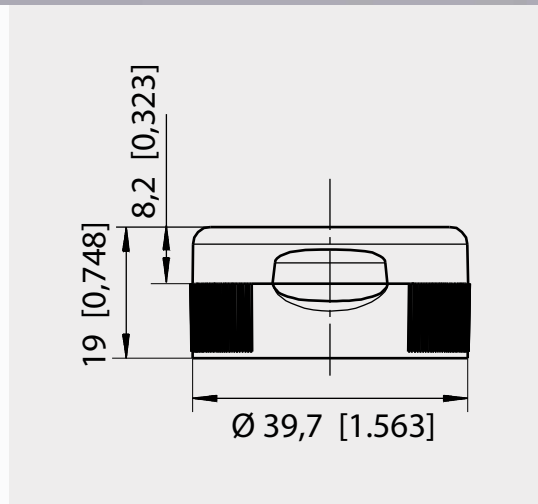
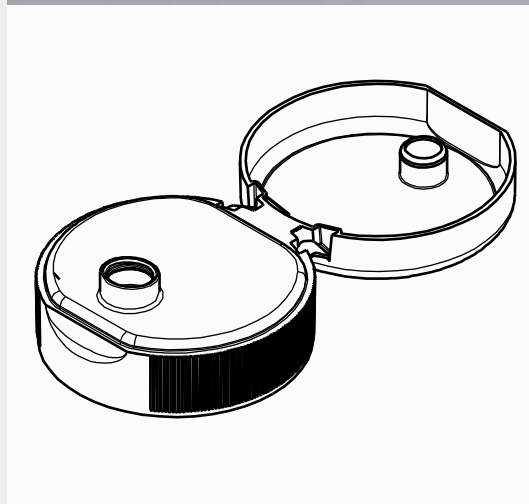
Sizes: Available in different neck finish and orifice sizes

Applications: Suitable for any thick or creamy product.

Food applications including salad dressings, ketchup, mustard, syrup, honey, sauce, condiments, and toppings.

Household applications including liquid soap, detergents, hobby paints.

Healthcare applications including vitamins, supplements and powders.



Flip Top Cap - DE3972

Product features:

Suitable for any thick or creamy product.

Food applications including mustard, syrup, honey, sauce, condiments,

Household applications including liquid soap, detergents, hobby paints.

Healthcare applications including cremes, lotions, ointment

Market: Personal care, cosmetic, food

Range: Flip-Top Cap

Shape: Oval

Foot print: 55,0 x 41,1 mm

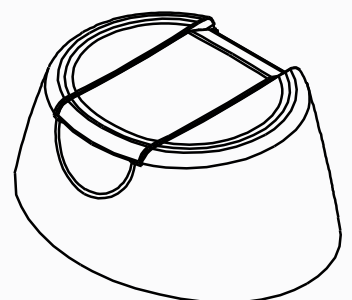
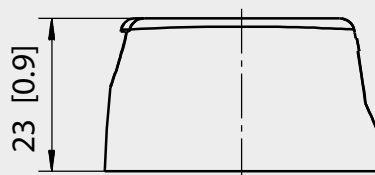
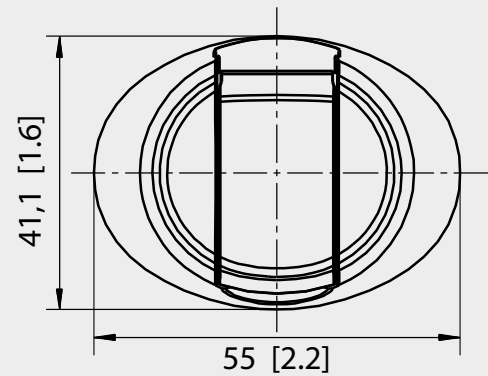
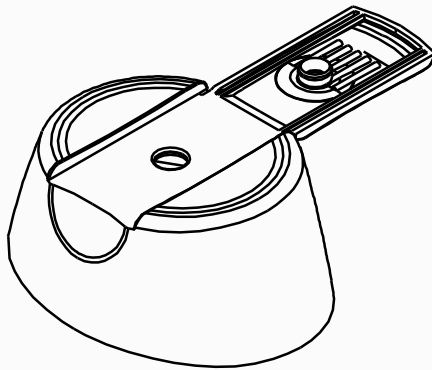
Weight: 5,0 g

Plug seal Diameter: 22 mm

Orifice: 5mm

Surface: Glossy

Material: PP



Flip Top Cap - DE4158

Product features:

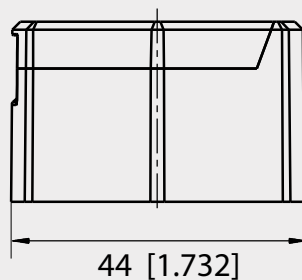
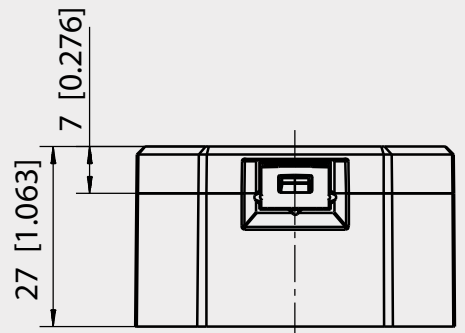
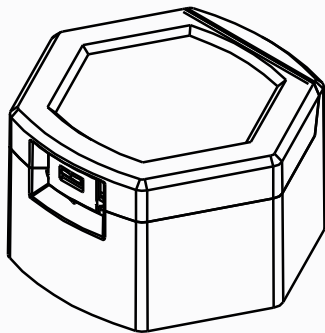
Suitable for any thick or creamy product.

Food applications including ketchup, mustard, syrup, honey, sauce,

Household applications including liquid soap, detergents, hobby paints.

Healthcare applications including cremes, lotions, ointments

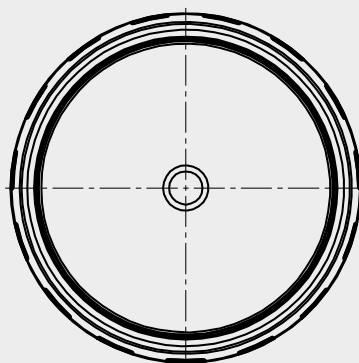
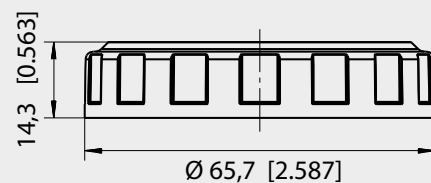
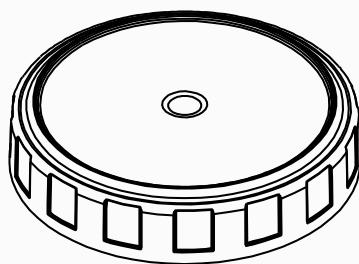
Market:	Food
Range:	Flip-Top Closure
Shape:	Hexagon
Foot print:	48,0 x 48,0 mm
Weight:	8,2 g
Thread Diameter:	31,8 mm
Plug seal Diameter:	22 mm
Orifice:	6 mm
Surface:	High glossy
Tamper-Evidence:	Yes
Material:	PP



Screw Cap TO 63 - DE3818

Product features:

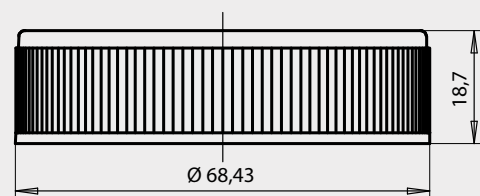
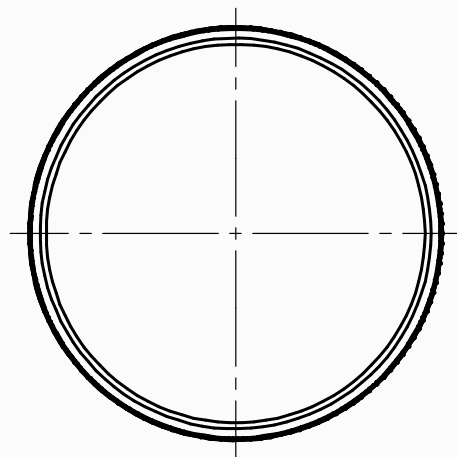
Market:	Food
Range:	Twist-Off
Shape:	Round
Foot-Print:	65,7 mm
Weight:	5,8 g
Thread	
Diameter:	TO 63
Surface:	Matt
Material:	PP



Screw Cap TO 66 - DE3819

Product features:

Market:	Food
Range:	Twist-Off
Shape:	Round
Foot-Print:	68,43 mm
Weight:	6,6 g
Thread	
Diameter:	TO 66
Surface:	Matt
Material:	PP



Screw Cap TO 70 - DE3874

Product features:

Market:	Food
Range:	Twist-Off
Shape:	Round
Foot-Print:	73,09 mm
Weight:	8,7 g
Thread Diameter:	TO 70
Surface:	Matt
Material:	PP



Screw Cap TO 63 - DE3901

Product features:

Market:	Food
Range:	Twist-Off
Shape:	Round
Foot-Print:	65,7 mm
Weight:	5,8 g
Thread	
Diameter:	TO 63 (glas)
Surface:	Matt
Material:	PP



Screw Cap TO 82 - DE3788

Product features:

(on request with sealing liner)

Market:	Food
Range:	Twist-Off
Shape:	Round
Foot-Print:	84,72 mm
Weight:	8,7 g
Thread	
Diameter:	TO 82
Surface:	Matt
Material:	PP





WEENER PLASTIC PACKAGING GROUP

Headquarters: Weener Plastik AG · Industriestraße 1 · D-26826 Weener

Telefon: +49 (0)4951 306-0 · Fax: +49 (0) 4951 30615

E-mail: info@wppg.com · Internet: www.wppg.com